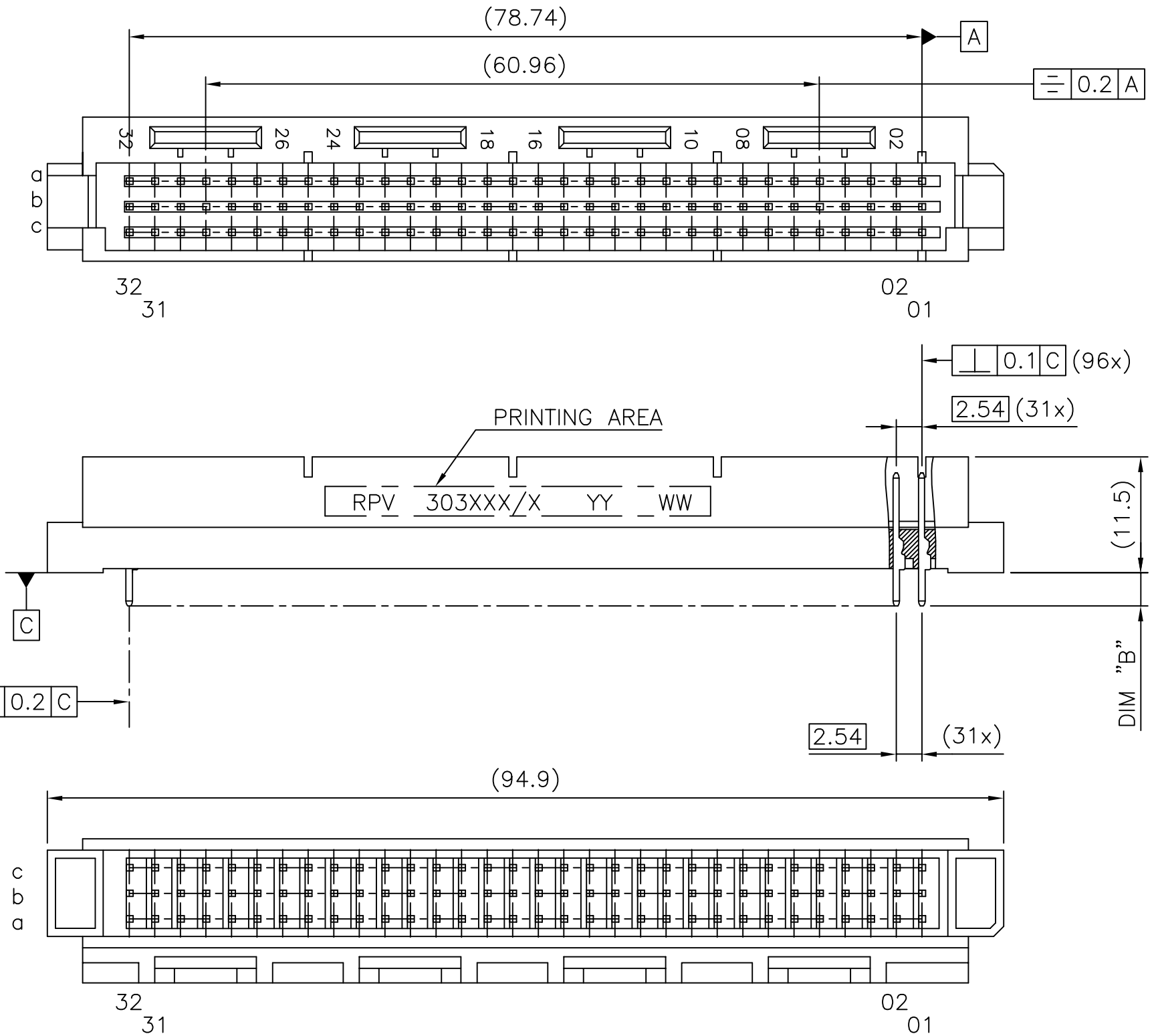
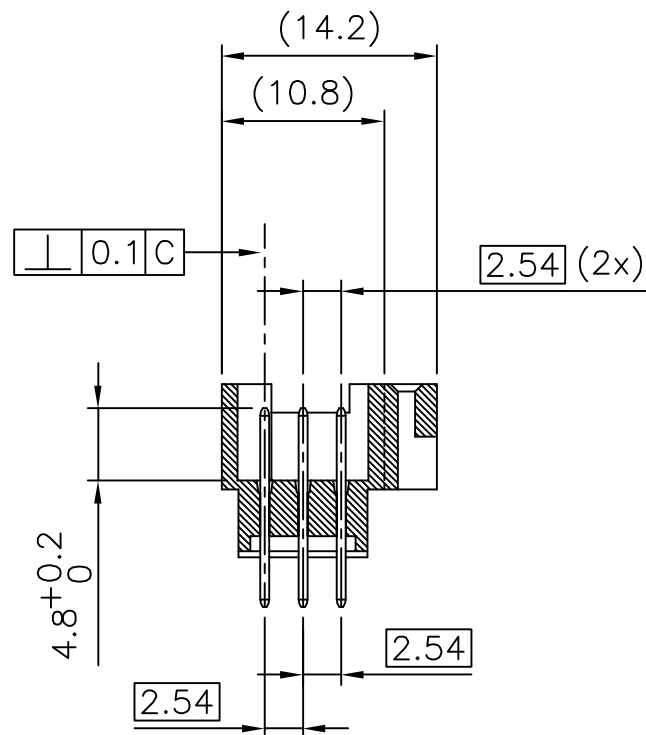


PRODUCT NUMBER
SEE SHEET 2



NOTES:

1. TIN LEAD PLATING HAS BEEN REPLACED BY PURE MATT TIN PLATING ON THE CONNECTOR TERMINATIONS. NO CHANGE IN THE HOUSING MATERIAL.
2. CUSTOMER NEEDS TO DECIDE & STANDARDIZE ON SUITABLE PROTECTION DEVICES TO PROTECT THE CONNECTOR HOUSINGS FROM THE HIGHER TEMPERATURE REQUIREMENTS OF LEAD FREE WAVE SOLDERING. REGULAR USE OF THESE CONNECTORS TO BE STARTED ONLY AFTER THIS REQUIREMENT HAS BEEN MET.
3. RoHS COMPLIANT LOGO WILL BE PROVIDED ON LABELS AS PER THE GLOBAL PACKAGING SPECIFICATION GS-14-920.

| | | | | | | | | | |
|---------------------------------------|--|------------------------------|--|------------------------------|--|-------------------------------|--|-------------------------------|--|
| mat'l. code | | surface | | tolerance | | projection | | product family | |
| SEE NOTES | | ISO 1302 ✓ | | ISO 406 ISO 1101 | | mm | | DIN | |
| tolerances unless otherwise specified | | angles | | linear | | scale 1:1 | | title | |
| A 106-0012 MINI 2006-02-06 | | B 106-0082 MINI 2006-06-01 | | C 107-0079 KR 2007-06-26 | | FCJ | | DIN HEADER ASSEMBLY | |
| dr MINI.K.VANDANATH 2006-02-06 | | enr RAKHEE GEORGE 2006-02-06 | | chr RAKHEE GEORGE 2007-06-26 | | appd RAKHEE GEORGE 2007-06-26 | | dwg no 72918 | |
| sheet index | | revision sheet | | C 1 | | C 2 | | sheet 1 of 2 size A3 | |
| | | | | | | | | type Product Customer Drawing | |

